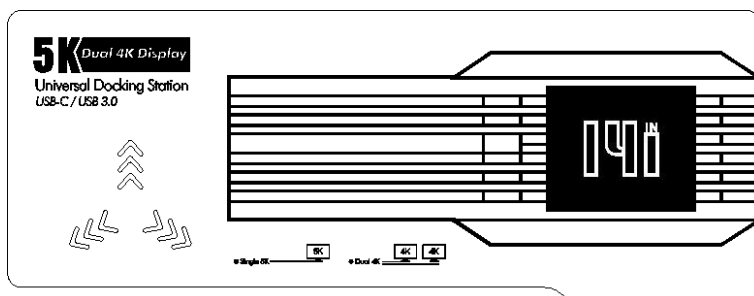


# USB-C/USB 3.0 Multifunction Docking Station

## Displaylink 4K USB3.0 Docking

## HSV1511 User Manual



## HSV1511 Docking Station: Procedures of Installation and Usage & Notices

1. Please follow the connection diagram, Properly connect the power adapter, signal source, monitors/TVs and other devices, then turn on the power switch.

2. Click the link to install the driver of the device:

<http://www.displaylink.com/downloads>. Or you can select the corresponding driver version of your source(system version) in the USB flash disk, then install the driver following the steps ( **Note: to have the optimum experience and obtain the function of extend or mirror mode in MacOS System, please update MacOS system and driver into latest version**).

3. Click the link to update MacOS system:

<https://support.apple.com/mac-os-upgrade>

4. After the driver is successfully installed and upgraded into the latest version, there are still picture abnormal issues, please refer to the trouble shooting in the link below:

[https://support.displaylink.com/knowledgebase/articles/1932214-displaylink-ma nager-app-for-macos-introduction-in](https://support.displaylink.com/knowledgebase/articles/1932214-displaylink-ma-nager-app-for-macos-introduction-in)

5. Please click link below to figure out how to configure DisplayLink on Mac OS X :

[https://support.displaylink.com/knowledgebase/articles/658258-how-to-configure e-dis playlink-displays-on-mac-os-x](https://support.displaylink.com/knowledgebase/articles/658258-how-to-configure-displaylink-displays-on-mac-os-x)

6. Please pay attention to the PD port, it is forbidden to charge the sources without PD charging function.

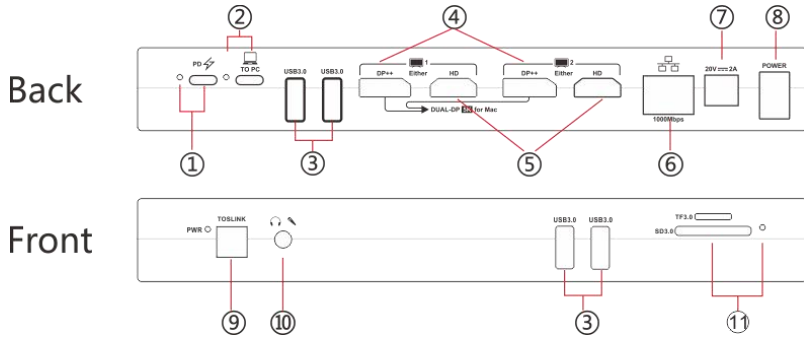
# 1 General Introduction :

The product, a universal USB-C/USB3.0 multifunctional docking station, is designed to expand your laptop and can work with multiple devices in market to realize stable and high-speed data transmission. Besides its stylish design, it is equipped with different types of conversion ports. It not only supports PD fast charging, Gigabit Ethernet port, high-speed transmission, HD projection, high-speed card-reading, but also supports up to 4K @ 60Hz ( 3840×2160 @ 60Hz) dual displays, or up to 5K @ 60Hz single display. It is compatible with Windows 10、 8.1、 8、 7 , XP and Mac OS 10.6 and later, can continuously work while full loaded. It is an indispensable partner for diversified office.

# 2 Function and Parameter

Type	Charging type with power adapter	Model	1511
Interface	HD*2/DP*2/USB-C USB3.0* 4 /Audio+Mic*1/ Gigabit Ethernet port*1/SPDIF Toslink*1/ SD/TD slot*1	Size	220mm*83mm*27mm
		Material	Alloy
		Color	Black
		Power	20V/2A power adapter
Wiring	USB-C/USB-A cable		

### 3 Port Explanation

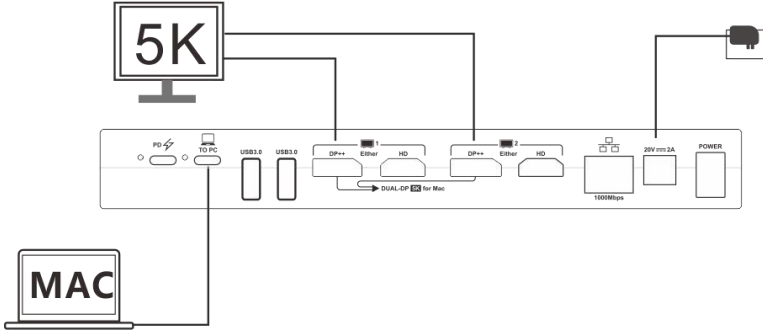


No.	Interface	Description
①	PD fastening charging port / LED Indicator	Support charging for devices with USB-C port, such as MacBook.LED Indicator: always ON while PD port is plugged in, OFF while plug out.
②	USB C port/ LED Indicator	Connect signal sources. LED Indicator: always ON while source is connected to USB-C, Off while disconnected.
③	USB3.0 port	Connect keyboard, mouse, USB flash disk, card reader, mobile hard disk .etc.
④⑤	HD*2+DP*2	Connect monitors to HD/DP ports to expand into two displays, support up to 4K @ 60Hz ( 3840×2160 @ 60Hz ) dual monitors or 5K@60Hz single monitor via using the two DP simultaneously.
⑥	Gigabit Ethernet port	Access to Internet.
⑦	DC IN	Supply power to the device via 20V/2A adapter.
⑧	Power Switch	Control the power of the device: ON/OFF
⑨	SPDIF Toslink port	Output SPDIF
⑩	Audio/Mic port	To give audio speaker out and mic in.
⑪	SD/TF slot/ Led Indicator	For SD/TF card (can read SD/TF card and transmit data simultaneously ) , Led Indicator : Led flickers while reading card and transmitting data. Otherwise it will keep ON/OFF.

# 4 Connection Diagram

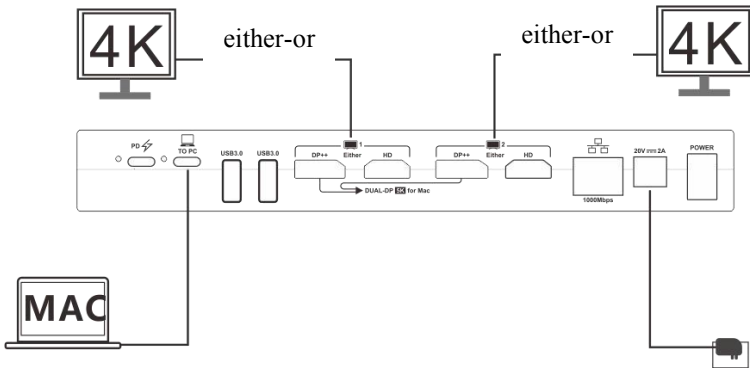
## 4.1 Installation of 5K display

1. Connect compatible laptop to an active docking station.
2. Connect DP/HD cable(not included in package) to the active docking station.
3. Connect the other end of the DP/HD cable to the DP/HD output port of 5K monitors/TVs .



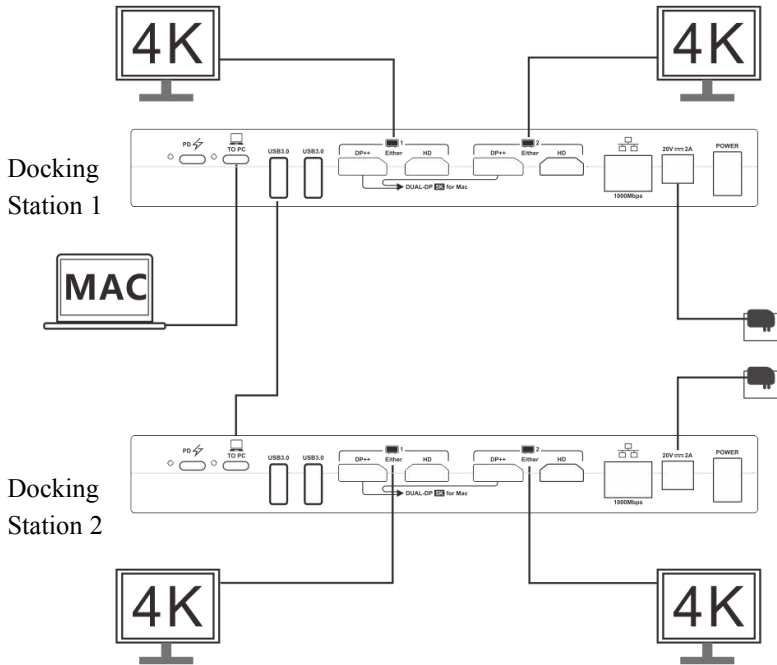
## 4.2 Installation of dual 4K displays

1. Connect compatible laptop to an active docking station.
2. Connect DP/HD cable(not included in package) to the active docking station.
3. Connect the other end of the DP/HD cable to the DP/HD output port of 4K monitors/TVs .

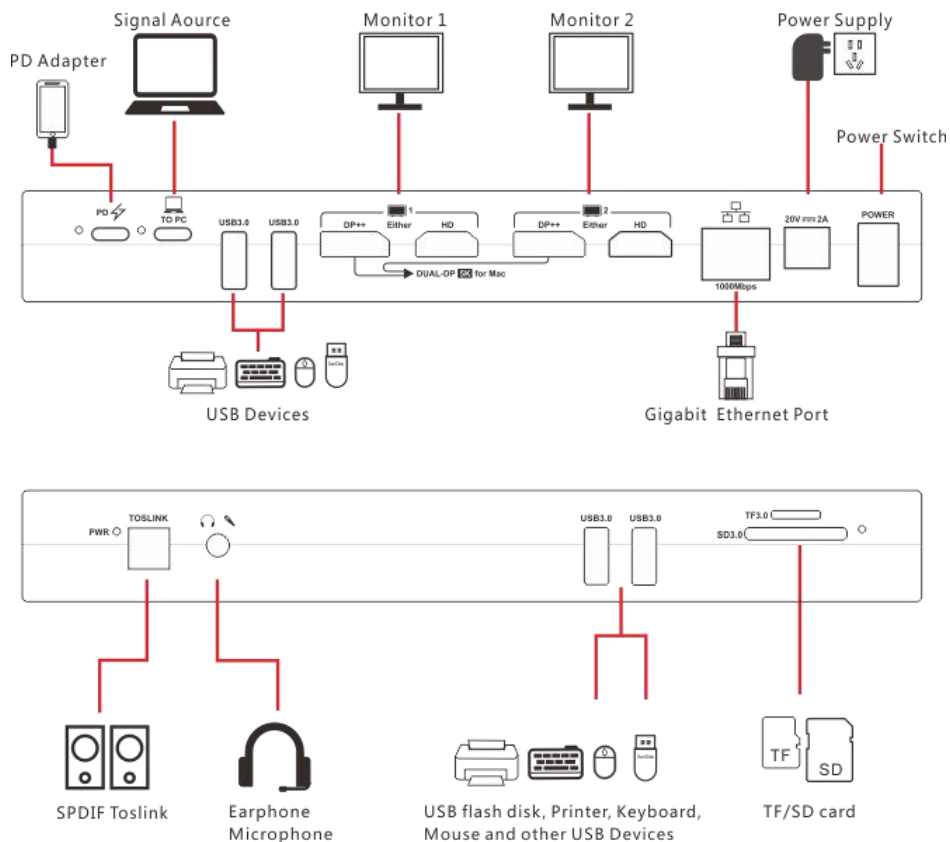


### 4.3 Installation of Multiple Displays

1. Connect compatible laptop to an active docking station.
2. Connect DP/HD cable(not included in package) to the active docking station.
3. Connect the other end of the DP/HD cable to the DP/HD output port of 4K monitors/TVs.
4. Connect any of the USB3.0 output port from the four on the docking station 1 to the USB-C input port on the docking station 2 via a USB A to USB C cable, then power on the device and connect 4 monitors/TVs to the docking station. Then multiple displays is realized.

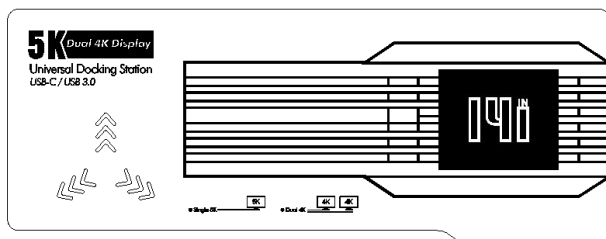


## 4.4 Connection Diagram



# USB-C/USB 3.0多功能扩展坞

## Displaylink 4K USB3.0 Docking HSV1511 说明书



### HSV1511 扩展坞 安装使用步骤和需注意的事项

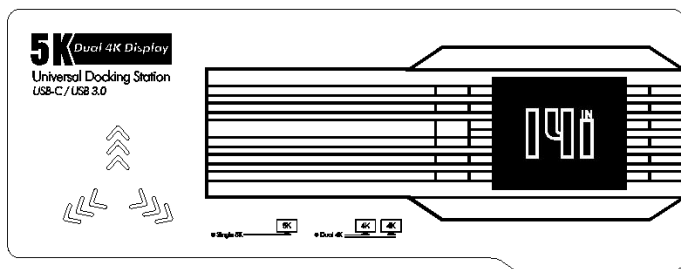
- 1, 按说明书连接示意图的说明, 连接好电源适配器, 连接好信号源, 显示器及其他设备, 再打开电源开关.
- 2, 点击此链接安装设备驱动固件 :<http://www.displaylink.com/downloads> , 或在附带的U盘里, 找到和自己的信号源 (系统版本) 对应的设备驱动固件, 然后按步骤成功安装好驱动 ( **请注意!** MacOS 系统信号源, 如需获得最佳体验效果和多屏异显功能, 建议把 MacOS 系统版本和设备驱动固件, 更新到对应的最新版本).
- 3, 点击此链接更新 MacOS 系统版本 :<https://support.apple.com/zh-cn/macOS/upgrade>
- 4, 如成功安装驱动固件或更新至最新的版本后, 依然出现不出图...等问题, 请浏览以下链接指引排除故障, 点击此链接 : <https://support.displaylink.com/knowledgebase/articles/1932214-displaylink-manager-app-for-macos-introduction-in>
- 5, 如何在 Mac OS X 上配置 DisplayLink 显示, 点击此链接 : <https://support.displaylink.com/knowledgebase/articles/658258-how-to-configure-displaylink-displays-on-mac-os-x>
6. 注意 PD 适配器接口, 禁止给没有带 PD 充电功能的信号源充电.



## 一 产品概述：

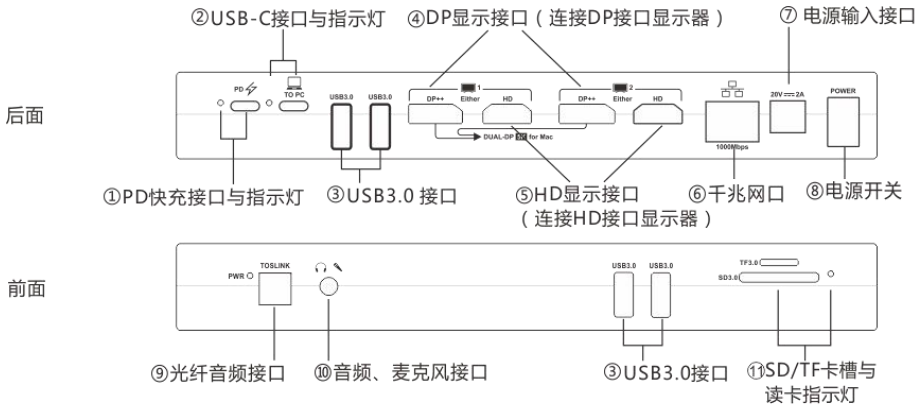
本产品是一款为电脑拓展而生,通用 USB-C/USB3.0 多功能扩展坞转接器,兼容市场上多种设备高速稳定传输数据,时尚的外观设计,具备多种不同类型的转接端口,支持 PD 快充、千兆网口、高速传输、高清投影、高速读卡。支持最高 4K @ 60Hz ( 3840×2160 @ 60Hz ) 的双显示或单个 5K @ 60Hz 显示。兼容 Windows 10、8.1、8、7,XP 系统,Mac OS 10.6 及更高版本。本产品满载情况下可持续使用,是多元化办公的必备神器。

## 二 产品功能和参数



<b>款式</b>	带电源充电款	<b>型号</b>	1511
<b>接口</b>	HD*2/DP*2/USB-C USB3.0* 4 /麦克风音频口/ 千兆网卡/SPDIF光纤接口/ SD/TD卡槽	<b>尺寸</b>	220mm*83mm*27mm
		<b>材质</b>	合金外观
		<b>颜色</b>	高端黑
		<b>电源</b>	20V/2A 电源适配器
<b>配线</b>	USB-C/USB-A 连接线		

# 三 接口说明

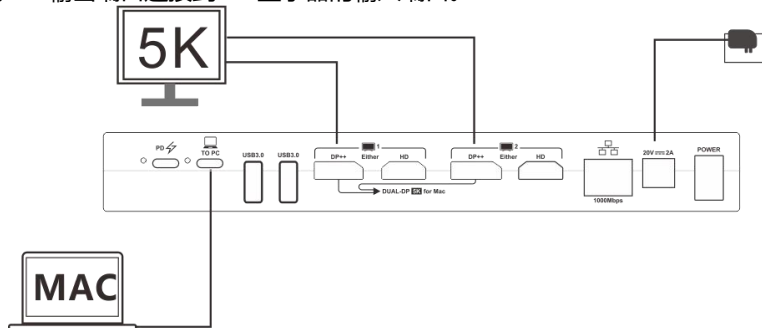


序号	接口	描述
①	PD快充接口/ 指示灯	支持给MacBook等带有USB-C接口的设备充电， 指示灯：插入PD接口常亮，拔掉灯不亮。
②	USB C 接口/ 指示灯	连接信号源设备， 指示灯：插入USB-C 接口常亮，拔掉灯不亮。
③	USB3.0 接口	连接键盘、鼠标、U盘、读卡器、移动硬盘等设备。
④⑤	HD*2+DP*2	HD/DP接口连接显示器 拓展出2个显示器，最高支持4K @ 60Hz ( 3840×2160 @ 60Hz ) 的双显示或双DP出单个5K @ 60Hz显示。
⑥	千兆网络接口	连接互联网，实现上网功能。
⑦	电源输入接口	连接20V/2A适配器给设备供电
⑧	电源开关	控制设备电源打开/关闭
⑨	光纤音频接口	输出音频光纤信号
⑩	音频、麦克风 接口	音频输出和麦克风输入
⑪	SD/TF卡槽/ 指示灯	连接SD/TF卡(SD/TF卡可同时读取和传输数据)， 指示灯：读卡和传输数据时闪烁，不读卡不传输数据时常亮/不亮。

## 四 连接示意图

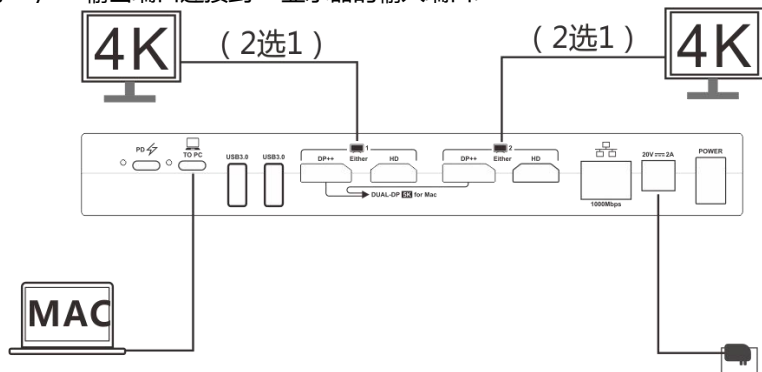
### 4.1 5K 显示器安装

- 1.将兼容的笔记本电脑连接到有源扩展坞。
- 2.将 DP 线缆（不附带）连接到有源扩展坞。
- 3.扩展坞的 DP 输出端口连接到 5K 显示器的输入端口。



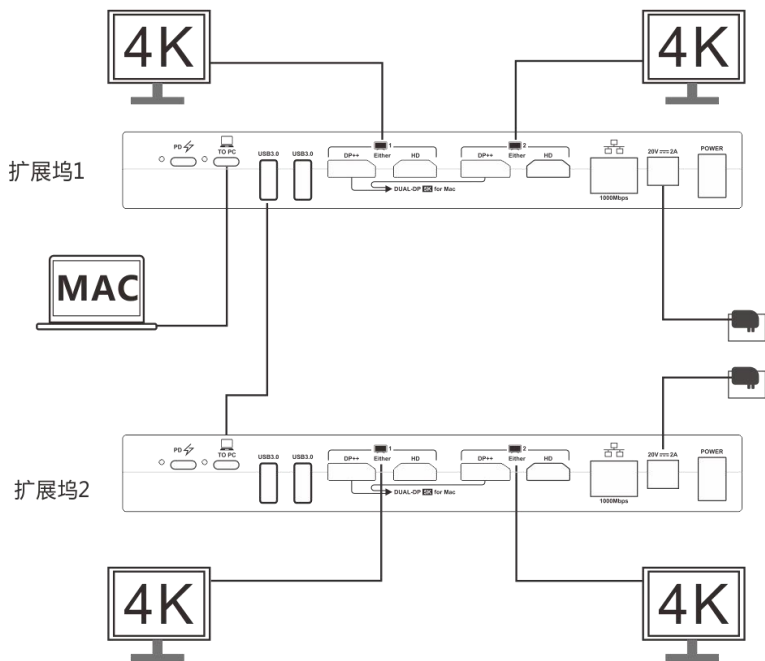
### 4.2 双 4K 显示器安装

- 1.将兼容的笔记本电脑连接到有源扩展坞。
- 2.将DP/HD线缆（不附带）连接到有源扩展坞。
- 3.扩展坞的DP/HD输出端口连接到4K显示器的输入端口。



### 4.3 多显示器安装

- 1.将兼容计算机连接到有源扩展坞。
- 2.将DP/HD线缆（不附带）连接到有源扩展坞。
- 3.扩展坞的DP/HD输出端口连接到4K显示器的输入端口
- 4.通过扩展坞1自带的USB3.0接口\*4中的任意一个USB3.0输出接口，通过USB A 转USB C 连接线,连接至扩展坞2的USB C 输入口,再连接上电源和4个显示器,即可实现多显示拓展。



## 4.4 设备连接图

